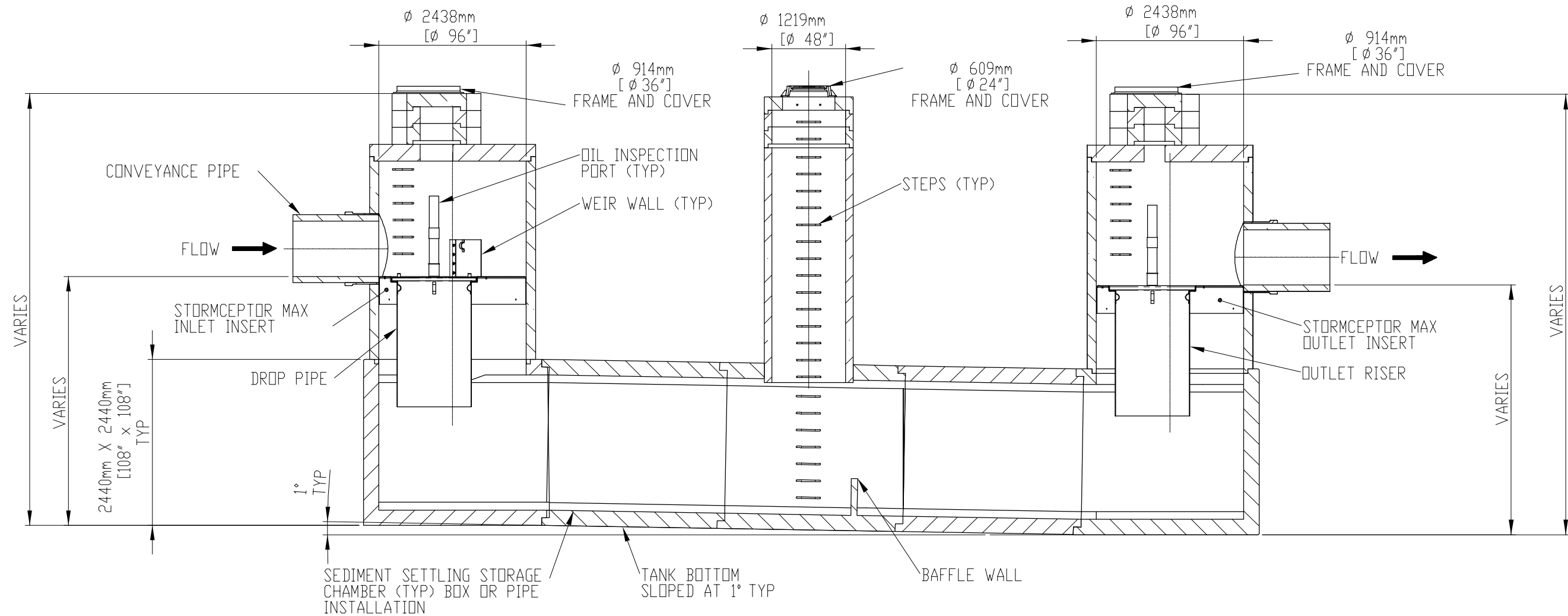


PLAN VIEW NTS



SECTION A-A

The design and information shown in this drawing is for the use of the contractor and is not to be used for any other purpose. The contractor shall be responsible for the design and construction of the project. The contractor shall be responsible for the design and construction of the project. The contractor shall be responsible for the design and construction of the project.

MARK	DATE	REVISION DESCRIPTION	BY

8FT STORMCEPTOR MAX BOX CHAMBER

THE STORMCEPTOR SYSTEM IS PROTECTED BY ONE OR MORE OF THE FOLLOWING PATENTS:
 Canadian Patent No. 2,697,287, 2,137,942, 2,175,277, 2,180,305, 2,180,338, 2,206,338, 2,287,768
 U.S. Patent No. 5,753,115, 5,849,181, 6,066,765, 6,371,690, 7,582,216, 7,666,283
 Australia Patent No. 693,164, 707,133, 729,096, 779,401, 2,008,279,378, 2,008,288,900
 Indonesia Patent No. 0007058, Japan Patent No. 381823, 9-1476, Korean Patent No. 0059212, Malaysia Patent No. 118987, New Zealand Patent No. 563,008, 314,646, 563,583, 24 NL 2010/01796, South African Patent No. 2010/0666, 2010/0796
 OTHER PATENTS PENDING



DATE	DESIGNED	DRAWN
		J.M.
	CHECKED	APPROVED
PACKAGE NO. STC MAX	PART NO.	
SHEET	1 OF 1	